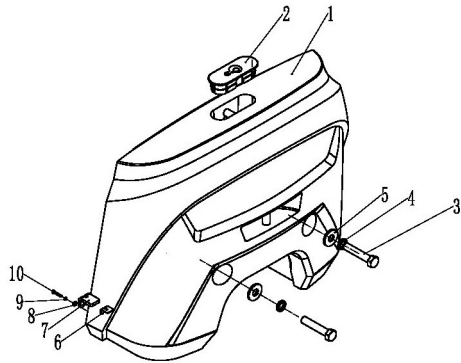
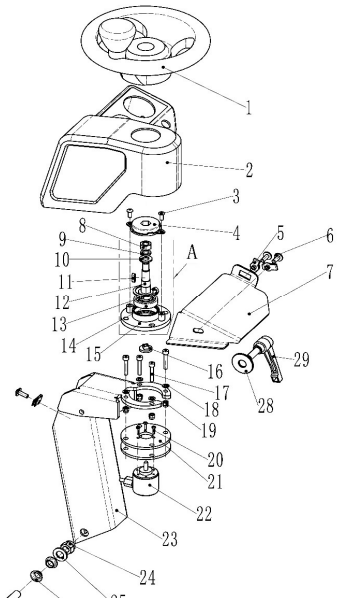


安装 / BALANCED INSTALLATION



序号/NO	编码/SN	名称/Name	Name	数量/QTY	备注/Remark
1	272523021001	平衡重(15E)		1	
2	255023020002	起吊盖		1	
3	910100100100	螺栓GB5782-M24x100-8.8		2	
4	910400500013	弹簧垫圈GB93-24		2	
5	255023020007	垫圈Φ60xΦ25x6		2	
6	255023020006	调整垫		1	选装
7	281223021007	垫板(配重)		2	选装
8	910400100005	平垫圈GB97.1-6-200HV		2	
9	910400500005	弹簧垫圈GB93-6		2	
10	910100300014	螺栓GB5783-M6x35-8.8		2	

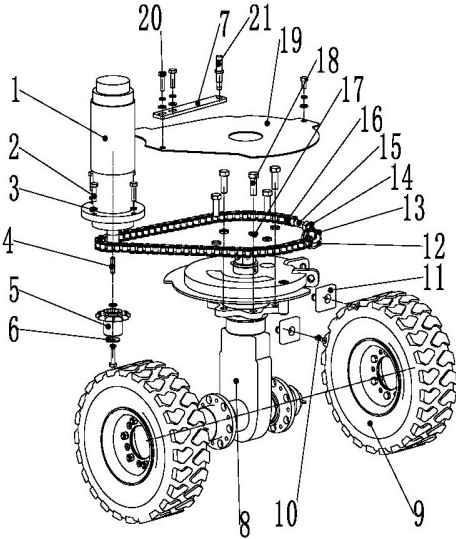
游盘安装 / STEERING DEVICE



序号/NO	编码/SN	名称/Name	Name	数量/QTY	备注/Remark
1	271531511020	方向盘Φ202		1	
2	271531521010	仪表罩		1	
3	910200300012	螺钉GB70.2-M5x12-4.8		2	
4	271531511021	旋转阻尼器		1	
5	940400400001	簧片螺母M6		3	
6	941100100009	螺钉M6x12-8.8		3	
7	271531521011	仪表罩下封板		1	
8	910300100007	螺母GB6170-M10-10		1	
9	910400500007	弹簧垫圈GB93-10		1	
10	910400100007	平垫圈GB97.1-10-200HV		1	
11	910600800002	手键GB1096-4x12-A		1	
12	271531522001	过渡轴		1	
13	910401400011	孔用弹性挡圈GB893.1-37		1	
14	910700200045	轴承GB276-61904-2RS		1	
15	271531512010	轴承座焊合件		1	
16	505931520002	连接块		1	
17	910200200026	螺钉GB70.1-M5x30-8.8		4	
18	910400100004	平垫圈GB97.1-5-200HV		4	
19	910300500002	螺母GB889.1-M5-10		4	
20	910200500012	螺钉GB818-M3x16-4.8		3	
21	271531522018	电位计固定板		2	
22	271533510001	编码器G138S6-052S5R03-00256(200mm)		1	
23	271531512001	转向管柱焊合件(电位计)		1	
24	910300500006	螺母GB889.1-M12-10		1	
25	910400100008	平垫圈GB97.1-12-200HV		1	
26	940500200028	复合套(带肩)Φ12xΦ14x7-SF-1		2	
27	910100100056	螺栓GB5782-M12x90-8.8		1	
28	910400200004	大垫圈GB96.1-10-200HV		1	
29	271531510006	可调手柄		1	

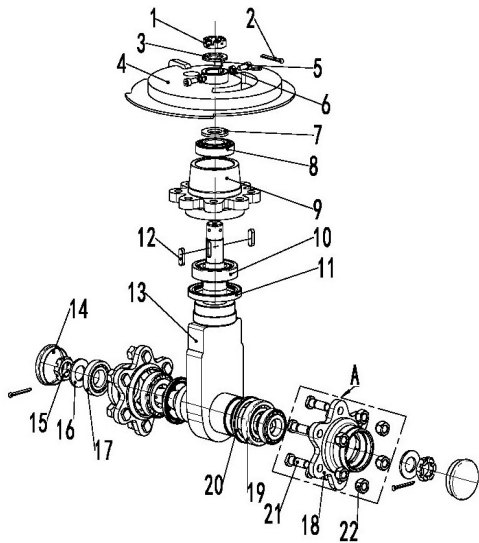
A	271531512003	过渡轴总成(电位计)		1	

装/STEERING AXLE INSTALLATION

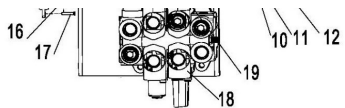


序号/NO	编码/SN	名称/Name	Name	数量/QTY	备注/Remark
1	920900100090	电机(直流)	Motor	1	
2	910100300023	螺栓GB5783-M8x25-8.8		4	
3	910400500006	弹簧垫圈GB93-8		7	
4	910600800021	平键GB1096-8x32-A		1	
5	272316021032	10B链轮		1	
6	271514021004	垫圈Φ9XΦ28X2		1	
7	272316021035	接近开关支架		1	
8	272516010001	转向桥总成		1	
9	-----	转向轮总成		2	见图:前后轮总成
10	910200400019	螺钉GB70.3-M6x25-8.8		2	
11	255021020068	缓冲垫		2	
12	272316021037	缓冲垫(链条)		2	
13	910400100008	平垫圈GB97.1-12-200HV		2	
14	910300100008	螺母GB6170-M12-10		2	
15	272316021013	链条固定螺栓		2	
16	272316021033	10B-1链条		1	
17	910400500008	弹簧垫圈GB93-12		1	
18	910100300051	螺栓GB5783-M12x35-8.8		6	
19	272316021007	链条护板		1	
20	910100300020	螺栓GB5783-M8x16-8.8		3	
21	920200400008	接近开关		1	

转向桥/STEERING AXLE

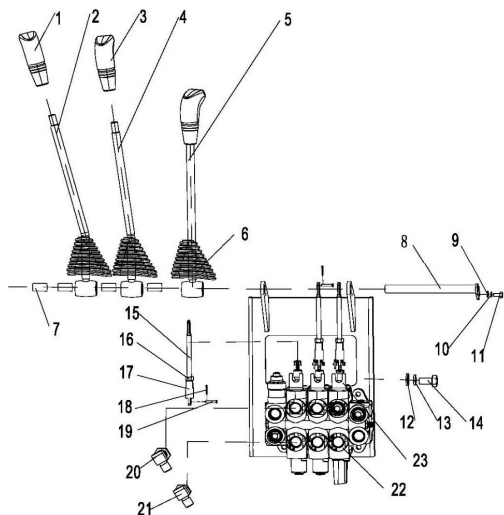


序号/NO	编码/SN	名称/Name	Name	数量/QTY	备注/Remark
1	272516021025	开槽螺母M30x2		1	
2	910600600038	开口销GB91-5x45		3	
3	910400100015	平垫圈GB97.1-27-200HV		1	
4	272516011002	链轮盘焊合		1	
5	910200200057	螺钉GB70.1-M8x20-8.8		2	
6	910300100006	螺母GB6170-M8-10		2	
7	272516021011	垫圈Φ50xΦ33x3		1	
8	910700600003	轴承GB297-30207		1	
9	272516021031	支撑轮毂		1	
10	910700600029	轴承GB297-30209		1	
11	255098526009	FB75x100x12.5密封圈		1	
12	910600800026	平键GB1096-10x30-A		1	
13	272516011001	转向桥体焊合		1	
14	254198526063	轮毂盖		2	
15	272316021023	开槽螺母M24x2		2	
16	910400100014	平垫圈GB97.1-24-200HV		2	
17	910700600002	轴承GB297-30206		2	
18	254198526016	轮毂(东碗)		2	
19	254198526011	轴承GB297-30208		2	
20	910800700004	骨架油封KB64x82x7		2	
21	254198526070	轮毂螺栓		12	
22	254198526071	轮毂螺母		12	
A	272516011003	轮毂总成		1	



18

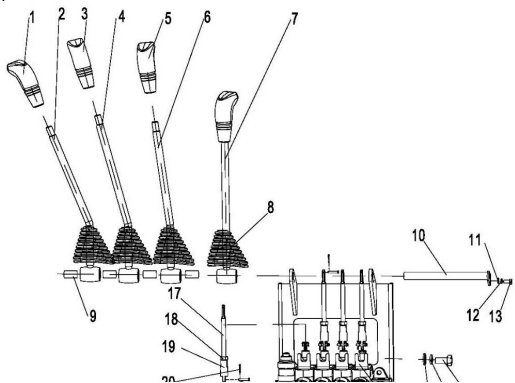
三联 / MULTIPLEX VALVE OPERATION (three)



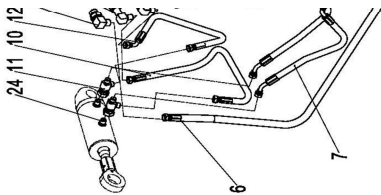
序号/NO	编码/SN	名称/Name	Name	数量/QTY	备注/Remark
1	255025020002	手柄球(属具1)		1	
2	271525011006	操纵杆铰合(属具1)		1	
3	255024520023	手柄球(倾斜)		1	
4	271524511005	操纵杆铰合(倾斜)		1	
5	272324511001	操纵杆总成(起升按钮)		1	
6	255024520065	护套		3	
7	940500100006	复合套 $\Phi 16 \times \Phi 18 \times 15$ -SF-1		6	
8	255024510009	带耳轴 $\Phi 16 \times 168$		1	
9	910400100005	平垫圈GB97.1-6-200HV		9	
10	910400500005	弹簧垫圈GB93-6		7	
11	910100300009	螺栓GB5783-M6x12-8.8		5	
12	910400100007	平垫圈GB97.1-10-200HV		6	
13	910400500007	弹簧垫圈GB93-10		6	
14	910100300036	螺栓GB5783-M10x25-8.8		4	
15	272524521017	连接杆		3	
16	910300100006	螺母GB6170-M8-10		3	
17	255025020003	接头		3	
18	941100800001	销轴B4.75x20-c1B		6	
19	910600600011	开口销GB91-2x12		6	
20	271523520007	接头(锁定弯)10-M20x1.5-M14x1.5-60°		1	
21	271523520008	接头(锁定弯)10-M20x1.5-M14x1.5-60°		1	
22	271525011001	多路阀(三联)		1	
23	255024520027	支架(行程开关)		3	

19

四联 / MULTIPLEX VALVE OPERATION (four)



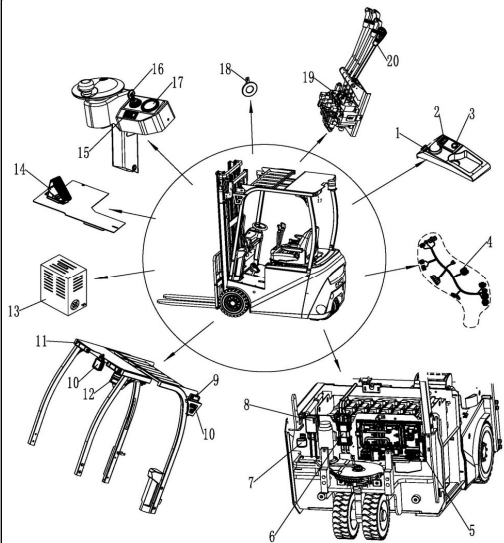
序号/NO	编码/SN	名称/Name	Name	数量/QTY	备注/Remark
1	255025520002	手柄球(属具2)		1	
2	271524511007	操纵杆铰合(属具2)		1	
3	255025020002	手柄球(属具1)		1	
4	271525011006	操纵杆铰合(属具1)		1	
5	255024520023	手柄球(倾斜)		1	
6	271524511005	操纵杆铰合(倾斜)		1	
7	272324511001	操纵杆总成(起升按钮)		1	
8	255024520065	护套		4	
9	940500100006	复合套 $\Phi 16 \times \Phi 18 \times 15$ -SF-1		8	
10	255024510009	带耳轴 $\Phi 16 \times 168$		1	
11	910400100005	平垫圈GB97.1-6-200HV		9	
12	910400500005	弹簧垫圈GB93-6		7	
13	910100300009	螺栓GB5783-M6x12-8.8		5	
14	910400100007	平垫圈GB97.1-10-200HV		6	
15	910400500007	弹簧垫圈GB93-10		6	
16	910100300036	螺栓GB5783-M10x25-8.8		4	
17	272524521017	连接杆		4	
18	910300100006	螺母GB6170-M8-10		4	
19	255025020003	接头		4	
20	941100800001	销轴B4.75x20-c1B		8	
21	910600600011	开口销GB91-2x12		8	
22	271523520007	接头(锁定弯)10-M20x1.5-M14x1.5-60°		2	



22	272523520003	胶管(吸油)	Rubber hose (oil absorption)	1	
23	255023520019	接头(直)8-G1/4-M16x1.5-60°	Joint (straight)8-G1/4- m16x1.5	2	
24	255023520007	接头(直)6-G1/4-M14x1.5-60°	Joint (straight)6-G1/4- m14x1.5	2	

21

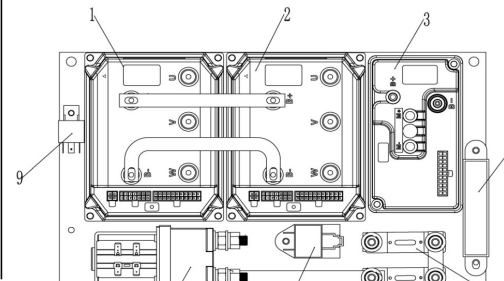
气系统/ELECTRIC SYSTEM



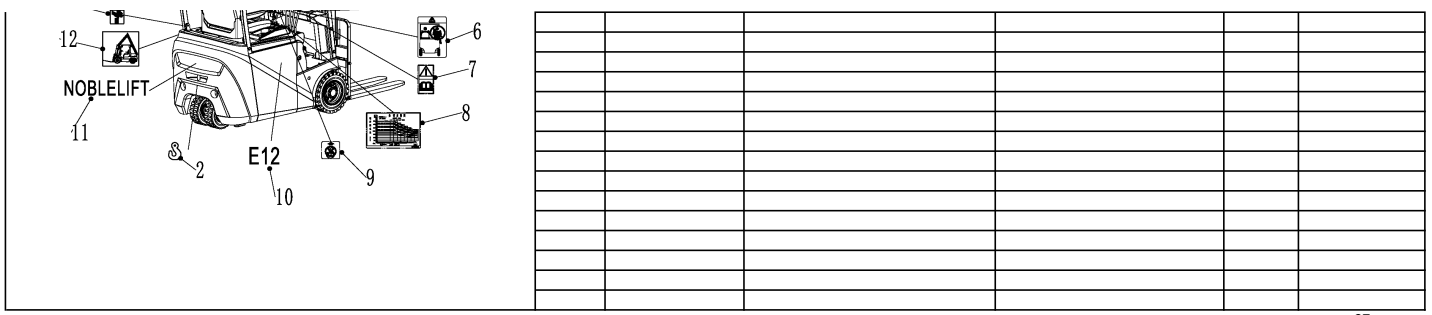
序号/NO	编码/SN	名称/Name	Name	数量/QTY	备注/Remark
1	920200100020	急停开关LAY39-01MJ-RC		1	
2	920200800021	翘板开关YB-nuoli-004		1	
3	921900100004	转换器DC24V转5V		1	
4	272533012001	车身线束(3R15E)		1	
5	272533011001	电控组件(3R15E)		1	
6	272533013001	电源连接线(15E)		1	
7	920500100012	喇叭蜂鸣器DJB-24D		1	
8	272333510002	转换器DCP48W300-24V		1	
9	922000100002	灯PDL-LXXD-1		2	
10	922000100001	灯PDL-LXZM-1		2	选配
11	922000100003	灯PDL-LXHW-2		2	
12	922000100004	灯PDL-LXJD-01Y		1	
13	921000200542	充电器WT48V25A(亚中)		1	200Ah电池用
	921000200543	充电器WT48V35A(亚中)		1	240Ah/280Ah电池用
14	921700100017	加速器DTJ01306		1	
15	920200800018	翘板开关YB-nuoli-001		1	
16	920200200002	钥匙开关KEYA		1	
17	272333010020	仪表LVM1640-NL		1	
18	920500100001	喇叭L25-DC24V		1	
19	920200300003	微动开关RZ-15GW2S-B3		1	
20	272324511001	操纵杆总成(起升按钮)		1	

22

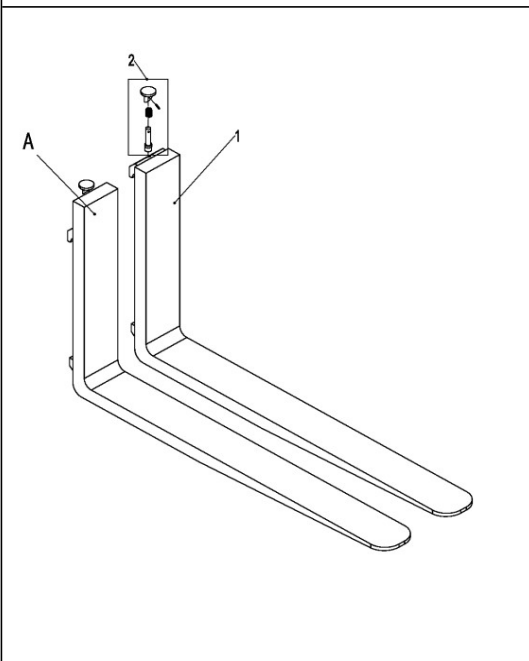
3 控制器/ CONTROLLER



序号/NO	编码/SN	名称/Name	Name	数量/QTY	备注/Remark
1	272533010001	控制器LVM48S25(牵引-15E)		1	
2	272533010002	控制器LVM48S20(泵-15E)		1	
3	272333011002	控制器DVM48S05-NL-EPS		1	
4	920100400008	保险丝盒BX2081X		1	
5	920100100016	保险丝400A(塑料)		1	
6	920100100003	保险丝60A(塑料)		1	
7	922000100005	灯SG252-24V		1	
8	920700100023	接触器DC48V-GSZ1-400		1	
9	920800100001	继电器DC24V-AGR01F-F-1C		1	

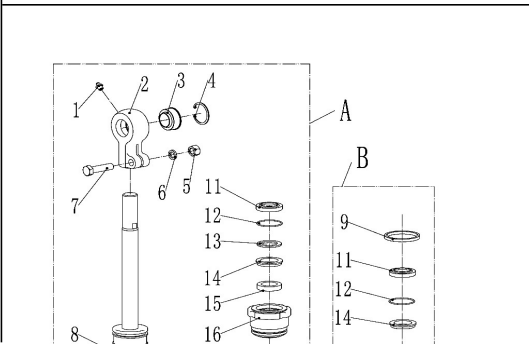


272598501028 货叉/FORK

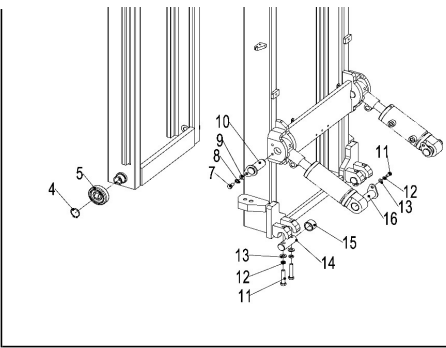


序号/NO	编码/SN	名称/Name	Name	数量/QTY	备注/Remark
1		货叉体	Fork body	2	
2	253098514101	提锁总成	Lift pin assembly	2	包括/inc.1-2
A	940100100001	挂钩II A型货叉100x35x920	Fork 100x35x920	2	
	940100100002	挂钩II A型货叉100x35x950	Fork 100x35x950	2	
	940100100003	挂钩II A型货叉100x35x1070	Fork 100x35x1070	2	
	254102041004	挂钩II A型货叉100x35x1150	Fork 100x35x1150	2	
	940100100005	挂钩II A型货叉100x35x1220	Fork 100x35x1220	2	
	940100100006	挂钩II A型货叉100x35x1370	Fork 100x35x1370	2	
	940100100029	挂钩II A型货叉100x35x1520	Fork 100x35x1520	2	
	940100100091	挂钩II A型货叉100x35x1070 (A2全柄)	Fork 100x35x1070 (A2)	2	

272598501029 倾斜油缸/TILT CYLINDER

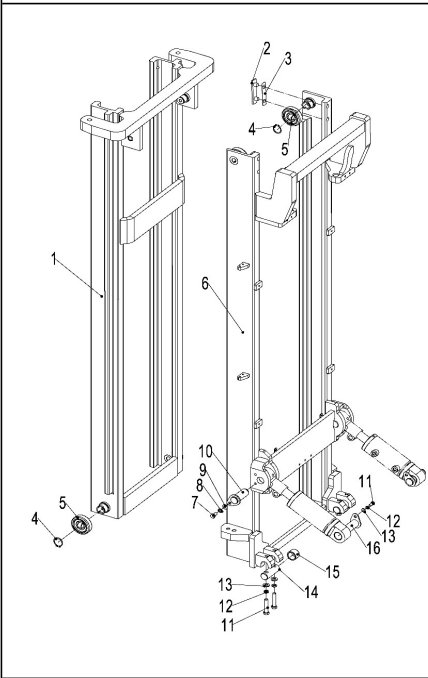


序号/NO	编码/SN	名称/Name	Name	数量/QTY	备注/Remark
A	272520511001	油缸 (TL) $\Phi 63 \times \Phi 30 \times 52.5$ (3/5)	Cylinder (TL) (3/5)	1	
A	272520511002	油缸 (TR) $\Phi 63 \times \Phi 30 \times 52.5$ (3/5)	Cylinder (TR) (3/5)	1	
B	254198510006	密封件修理包 (倾斜缸)	Seal kits (tilt cylinder)	2	
1	▲	油嘴M10X1	Fuel nozzle M10x1	1	
2	▲	耳环	Earring	1	
3	▲	关节轴承	Bearing GE30ES	1	
4	▲	挡圈47	Circlip 47	1	
5	▲	螺母14	Nut M14	1	
6	▲	弹垫14	Washer 14	1	
7	▲	螺栓M14x55	Bolt M14x55	1	
8	▲	活塞杆	Piston Rod	1	
9	▲	孔用密封圈53x63x6	Sealing Ring for Hole 53x63x6	2	
10	▲	支承环58x63x20	Support ring 58x63x20	1	
11	▲	防尘圈DH30x38x5x6.5	Dust Ring DH30x38x5x6.5	1	
12	▲	O型圈D70x3.1	O seal ring D70x3.1	1	
13	▲	挡片	Catch	1	



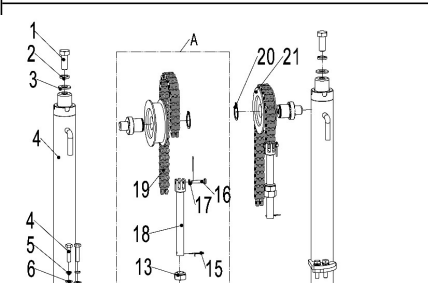
5	940200300048	复合滚轮Φ79.1-range=45.3-49.3	Composite roller Φ 79.1 = 52.5-	4	
	940200300033	复合滚轮Φ79.4-range=45.3-49.3	Composite roller Φ 79.4 = 52.5-	4	
6	272544011001	外门架焊合(2500)	Outer mast 2500	1	H=2500
	272544011002	外门架焊合(2700)	Outer mast 2700	1	H=2700
	272544011003	外门架焊合(3000)	Outer mast 3000	1	H=3000
	272544011004	外门架焊合(3300)	Outer mast 3300	1	H=3300
	272544011005	外门架焊合(3500)	Outer mast 3500	1	H=3500
	272544011006	外门架焊合(3700)	Outer mast 3700	1	H=3700
	272544011007	外门架焊合(4000)	Outer mast 4000	1	H=4000
	272544011008	外门架焊合(4300)	Outer mast 4300	1	H=4300
	272544011009	外门架焊合(4500)	Outer mast 4500	1	H=4500
	272544011010	外门架焊合(5000)	Outer mast 5000	1	H=5000
7	910100300025	螺栓GB5783-M8x35-8.8	Bolt GB5783-M8x35-8.8	10	
8	910400500006	弹簧垫圈GB93-8	Washer GB93-8	10	
9	910400100006	平垫圈GB97.1-8-200HV	Washer GB97.1-8-200HV	10	
10	272344010002	带耳轴Φ20x55	Axle Φ20x55	2	
11	910100300056	螺栓GB5783-M12x60-8.8	Bolt GB5783-M12x60-8.8	4	

272598501032 门架(标准门架)/MAST(stand mast)

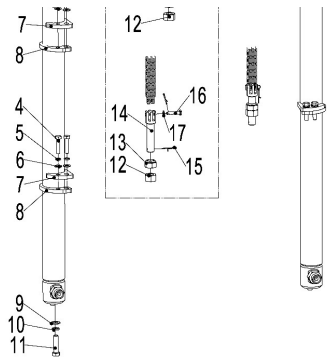


序号/NO	编码/SN	名称/Name	Name	数量/QTY	备注/Remark
12	910400500006	弹簧垫圈GB93-8	Washer GB93-8	4	
13	910400100006	平垫圈GB97.1-8-200HV	Washer GB97.1-8-200HV	4	
14	272344021008	门架固定销轴	Portal Pin	2	
15	272344021080	耐磨套Φ30xΦ38x25	wear-proof casing Φ30xΦ38x25	2	
16	272344010002	带耳轴Φ20x55	Axle Φ20x55	2	

272598501033 油缸装配(标准门架)/LIFT CYLINDER ASSEMBLY(stand mast)

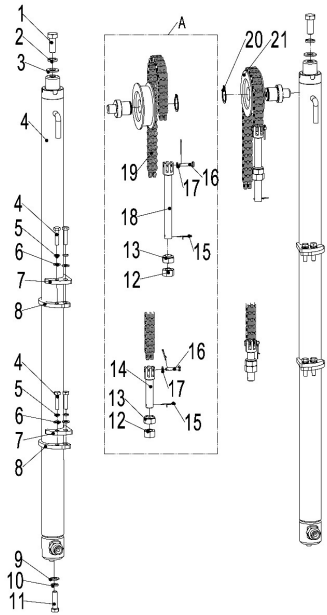


序号/NO	编码/SN	名称/Name	Name	数量/QTY	备注/Remark
1	910100300063	螺栓GB5783-M14x35-8.8	Bolt GB5783-M14x35-8.8	2	
2	910400100009	平垫圈GB97.1-14-200HV	Washer GB97.1-14-200HV	2	
3	910400500009	弹簧垫圈GB93-14	Washer GB93-14	2	
4	272544016011	油缸Φ32xΦ40x995	Cylinder(H=2000)	2	H=2000
4	272544016001	油缸Φ32xΦ40x1245	Cylinder(H=2500)	2	H=2500
4	272544016002	油缸Φ32xΦ40x1345	Cylinder(H=2700)	2	H=2700
4	272544016003	油缸Φ32xΦ40x1495	Cylinder(H=3000)	2	H=3000
4	272544016004	油缸Φ32xΦ40x1645	Cylinder(H=3300)	2	H=3300
4	272544016005	油缸Φ32xΦ40x1745	Cylinder(H=3500)	2	H=3500
4	272544016006	油缸Φ32xΦ40x1845	Cylinder(H=3700)	2	H=3700
4	272544016007	油缸Φ32xΦ40x1995	Cylinder(H=4000)	2	H=4000
4	272544016008	油缸Φ32xΦ40x2145	Cylinder(H=4300)	2	H=4300
4	272544016009	油缸Φ32xΦ40x2245	Cylinder(H=4500)	2	H=4500



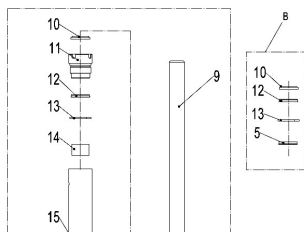
4	272544016010	油缸 Φ32xΦ40x2495	Cylinder(H=5000)	2	H=5000
4	910100300025	螺栓GB5783-M8x35-8.8	Bolt GB5783-M8x35-8.8	10	
5	910400500006	弹簧垫圈GB93-8	Washer GB93-8	10	
6	910400100006	平垫圈GB97.1-8-200HV	Washer GB97.1-8-200HV	10	
7	272544020004	内抱箍	Inner Holding Hoop	2	
8	272544020003	外抱箍	External Hoop	2	
9	910400100008	平垫圈GB97.1-12-200HV	Washer GB97.1-12-200HV	2	
10	910400500008	弹簧垫圈GB93-12	Washer GB93-12	2	
11	910100300050	螺栓GB5783-M12x30-8.8	Bolt GB5783-M12x30-8.8	2	
12	910300200008	螺母GB6171-M16x1.5-10	Nut GB6171-M16x1.5-10	2	H=2500
13	▲	球面螺母M16x1.5	Nut M16x1.5	2	
14	▲	链条螺栓M16x1.5x89	Chain bolt M16x1.5x89	2	
15	▲	开口销GB91-3.2x30	Split pinGB91-3.2x30	4	
16	▲	销轴Φ6x30	PinΦ6x30	2	
17	▲	平垫圈GB97.1-6-200HV	Washer GB97.1-6-200HV	2	
18	▲	链条螺栓M16x1.5x169	Chain bolt M16x1.5x169	1	
19	▲	板式链GB6074-LH1044	LH1044 chain	1	
20	910401300016	轴用弹性挡圈GB894.1-30	Elastic collar for shaf	2	
21	940200500014	链轮轴承780307-Φ90xΦ35x21	Sprocket bearings 780307	2	

272598501033 油缸装配 (标准门架) /LIFT CYLINDER ASSEMBLY (stand mast)

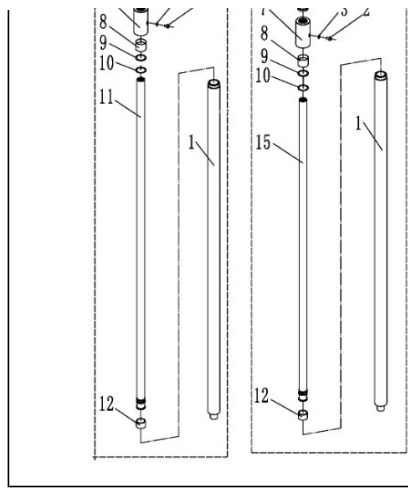


序号/NO	编码/SN	名称/Name	Name	数量/QTY	备注/Remark
A	272544014001	起升链条LH1044-97	Lifting chain LH1044-97	2	H=2500
A	272544014002	起升链条LH1044-103	Lifting chain LH1044-103	2	H=2700
A	272544014003	起升链条LH1044-113	Lifting chain LH1044-113	2	H=3000
A	272544014004	起升链条LH1044-123	Lifting chain LH1044-123	2	H=3300
A	272544014005	起升链条LH1044-129	Lifting chain LH1044-129	2	H=3500
A	272544014006	起升链条LH1044-135	Lifting chain LH1044-135	2	H=3700
A	272544014007	起升链条LH1044-147	Lifting chain LH1044-147	2	H=4000
A	272544014008	起升链条LH1044-157	Lifting chain LH1044-157	2	H=4300
A	272544014009	起升链条LH1044-163	Lifting chain LH1044-163	2	H=4500
A	272544014010	起升链条LH1044-181	Lifting chain LH1044-181	2	H=5000

272598501034 起升油缸 (标准门架) /LIFT CYLINDER (stand mast)



序号/NO	编码/SN	名称/Name	Name	数量/QTY	备注/Remark
1	▲	防爆网		1	
2	▲	轴		1	
3	▲	铜套		1	
4	▲	支承环36x40x10		1	
5	▲	孔用30x40x6		1	
6	▲	挡片30x40x3		1	
7	▲	活塞		1	
8	▲	限位套		1	
9	▲	活塞杆		1	
10	▲	DH32x40x5x6.5		1	
11	▲	缸盖		1	
12	▲	轴用32x40x6		1	



B	272543516009	油缸(L) Φ30xΦ40x2540	Oil cylinder (L)Φ30xΦ40x2540	1	H=4500
	272543516010	油缸(L) Φ30x Φ40x2815	Oil cylinder (L)Φ30xΦ40x2815	1	H=5000
	272543517001	油缸(R) Φ30x Φ40x1490	Oil cylinder (R)Φ30xΦ40x1490	1	H=2500
	272543517002	油缸(R) Φ30x Φ40x1590	Oil cylinder (R)Φ30xΦ40x1590	1	H=2700
	272543517003	油缸(R) Φ30x Φ40x1740	Oil cylinder (R)Φ30xΦ40x1740	1	H=3000
	272543517004	油缸(R) Φ30x Φ40x1890	Oil cylinder (R)Φ30xΦ40x1890	1	H=3300
	272543517005	油缸(R) Φ30x Φ40x1990	Oil cylinder (R)Φ30xΦ40x1990	1	H=3500
	272543517006	油缸(R) Φ30x Φ40x2090	Oil cylinder (R)Φ30xΦ40x2090	1	H=3700
	272543517007	油缸(R) Φ30x Φ40x2290	Oil cylinder (R)Φ30xΦ40x2290	1	H=4000
	272543517008	油缸(R) Φ30x Φ40x2440	Oil cylinder (R)Φ30xΦ40x2440	1	H=4300
	272543517009	油缸(R) Φ30x Φ40x2540	Oil cylinder (R)Φ30xΦ40x2540	1	H=4500
272543517010	油缸(R) Φ30x Φ40x2815	Oil cylinder (R)Φ30xΦ40x2815	1	H=5000	
1	▲	缸体	Cylinder block	2	
2	▲	内六角圆柱头螺钉	Hexagon socket head screw	2	
3	▲	组合密封垫圈	Combination gasket	2	
4	▲	轴封30X40X6	Shaft seal 30 x40x6	2	
5	▲	DH30X38X5	DH30X38X5	2	
6	▲	挡圈	Retaining ring	2	
7	▲	缸盖	Cylinder head	2	
8	▲	钢背轴承30X34X25	Steel back bearing 30X34X25	2	
9	▲	O型圈	O-rings D45X3.1	2	
10	▲	挡圈	Retaining ring	2	
11	▲	右活塞杆	Right the piston rod	1	
12	▲	孔用支承环35X40X10	Supporting ring for bore 35X40X10	2	

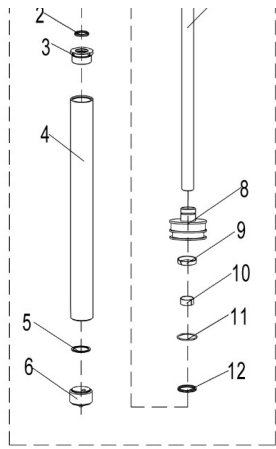
起升油缸 (两级全自由门架) / LIFT CYLINDER (two-stage full free mast)

序号/NO	编码/SN	名称/Name	Name	数量/QTY	备注/Remark
13	▲	左缸接头	The left cylinder joint	1	
14	▲	O形橡胶密封圈	O-ring rubber	1	
15	▲	左活塞杆	Left the piston rod	1	
16	▲	钢体	Steel body	1	
C	271598510003	密封件修理包(起升缸)	Seal repair kit (lifting cylinde	2	包含711C, 4, 5, 9, 12, 1

短升降油缸 (二级全自由) / Short lift cylinder (two-stage full free mast)

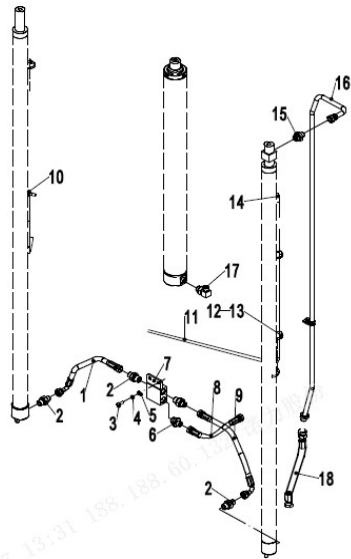
序号/NO	编码/SN	名称/Name	Name	数量/QTY	备注/Remark
A	271543518001	油缸(M)(H=2500)	Oil cylinder (M) Φ76 xΦ63 x497	1	H=2500
	271543518002	油缸(M)(H=2700)	Oil cylinder (M) Φ76 xΦ63x597	1	H=2700
	271543518003	油缸(M)(H=3000)	Oil cylinder (M) Φ76 xΦ63 x747	1	H=3000
	271543518004	油缸(M)(H=3300)	Oil cylinder (M) Φ76 xΦ63 x897	1	H=3300
	271543518005	油缸(M)(H=3500)	Oil cylinder (M)Φ76 xΦ63 x997	1	H=3500
	271543518006	油缸(M)(H=3700)	Oil cylinder (M) Φ76 xΦ63 x1097	1	H=3700
	271543518007	油缸(M)(H=4000)	Oil cylinder (M) Φ76 xΦ63 x1247	1	H=4000





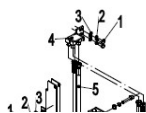
	271543518008	油缸(M)(H=4300)	Oil cylinder (M) Φ 76 xΦ63 x1397	1	H=4300
	271543518009	油缸(M)(H=4500)	Oil cylinder (M) Φ 76 xΦ63 x1497	1	H=4500
	271543518010	油缸(M)(H=5000)	Oil cylinder (M) Φ 76 xΦ63 x1747	1	H=5000
1	▲	防尘圈	Shaft with 40 x 50 x 6 _11	1	
2	▲	密封圈	DH40 x 48 x 5 x 6.5	1	
3	▲	内置缸盖	Built-in cylinder head	1	
4	▲	内置缸筒	Built-in cylinder	1	
5	▲	挡片53X63X3	53 x63x3 block slice	1	
6	▲	右缸底	The bottom right	1	
7	▲	活塞杆	The piston rod	1	
8	▲	活塞	The piston	1	
9	▲	支承环58X63X13	Bearing ring 58 x63x13	1	
10	▲	钢背轴承40X44X20	Steel back bearing 40X44X20	1	
11	▲	o型圈	O-rings D68X3. 1	1	
12	▲	孔用密封圈	Hole with 53 * 63 * 6 _11	1	
A	271598510002	密封件修理包(中间缸)	Seal repair kit (middle cylinder)	1	包含/Incl.2.9.11.12
	272543515001	起升链条LH1066-69			H=2500
	272543515002	起升链条LH1066-77			H=2700
	272543515003	起升链条LH1066-85			H=3000
	272543515004	起升链条LH1066-95			H=3300
	272543515005	起升链条LH1066-101			H=3500
	272543515006	起升链条LH1066-113			H=3700
	272543515007	起升链条LH1066-117			H=4000
	272543515008	起升链条LH1066-123			H=4300
	272543515009	起升链条LH1066-135			H=4500
	272543515010	起升链条LH1066-143			H=5000

起升管路 (两级全自由门架) / LIFTING PIPEING(two-stage full free mast)

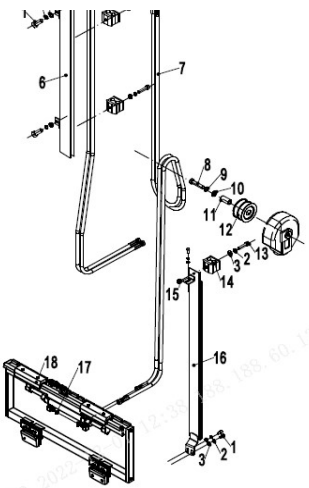


序号/NO	编码/SN	名称/Name	Name	数量/QTY	备注/Remark
1	272544029003	液压管总成(90°)12-L290-1SC-60°	Hydraulic hose assembly (90°)12-L2	1	
2	271544029005	接头(直)10-M20x1.5-M18x1.5-60°	Joint 10-M20x1.5-M18x1.5-60°	2	
3	910100100018	螺栓GB5782-M8x25-8.8	Bolt GB5782-M8x25-8.8	2	
4	910400500006	弹簧垫圈GB93-8	Spring washer GB93-8	2	
5	910400100006	平垫圈GB97.1-8-200HV	The flat washer GB97.1-8-200HV	2	
6	275043520038	接头(直)12-2xM22x1.5-60°	Joint 12-2xM22x1.5-60°	1	
7	272544019001	三通阀块总成	Valve Block	1	
8	272544029002	液压管总成(直)15-L380-2SC-60°(带钢)	Hydraulic hose assembly 15-L380-2SC	1	
9	272544029004	液压管总成(90°)12-L370-1SC-60°	Hydraulic hose assembly (90°)12-L4	1	
10	910100300020	接头(三通)	Joint	1	
11	900200301004	软管13x1.5/PE	Supple pipe 13x1.5/PE	1	
12	921600400001	扎带4x250	Strip 4x250	4	
13	255044020042	压板	Press plate	4	
14	255044020043	卡箍13	Hoop 13	4	
15	254144520040	接头(直)10-M22x1.5-M18x1.5-60°	Joint 10-M22x1.5-M18x1.5-60°	1	
16	272543529101	起升钢管焊合L=960	Lifting steel pipe welding L=960	1	
16	272543529102	起升钢管焊合L=1200	Lifting steel pipe welding L=1200	1	
16	272543529103	起升钢管焊合L=1450	Lifting steel pipe welding L=1450	1	
16	272543529104	起升钢管焊合L=1650	Lifting steel pipe welding L=1650	1	
16	272543529105	起升钢管焊合L=1900	Lifting steel pipe welding L=1900	1	
16	272543529106	起升钢管焊合L=2175	Lifting steel pipe welding L=2175	1	
16	272543529107	起升钢管焊合L=820	Lifting steel pipe welding L=820	1	
17	281244529001	接头(锁定弯)12-M18x1.5-M22x1.5-60°	Joint(lock bend) 12-M18x1.5-M22x1.5	1	
18	271543529111	液压管总成(直)12-L300-1SC-60°	Hydraulic hose assembly 12-L300-1SC	1	
18	271543529112	液压管总成(直)12-L400-1SC-60°	Hydraulic hose assembly 12-L400-1SC	1	
18	271543529113	液压管总成(直)12-L360-1SC-60°	Hydraulic hose assembly 12-L360-1SC	1	
18	271543529114	液压管总成(直)12-L500-1SC-60°	Hydraulic hose assembly 12-L500-1SC	1	

单附加管路安装 (两级全自由门架) / SIDE PIPING(two-stage full free mast)

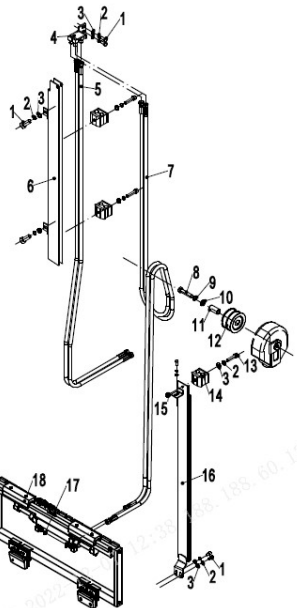


序号/NO	编码/SN	名称/Name	Name	数量/QTY	备注/Remark
1	910100300022	螺栓GB5783-M8x20-8.8	Bolt GB5783-M8x20-8.8	3	
2	910400500006	弹簧垫圈GB93-8	Spring washer GB93-8	10	
3	910400100006	平垫圈GB97.1-8-200HV	The flat washer GB97.1-8-200HV	8	
4	271528511001	四通阀总成(三联)	Four-way valve assembly (triple)	1	
5	272528520101	液压管总成(直)8-L1900-1SC-60°	Hydraulic tube assembly (straight)8	2	H=2500
5	272528520102	液压管总成(直)8-L2000-1SC-60°	Hydraulic tube assembly (straight)8	2	H=2700



5	272528520103	液压管总成(直)8-L2130-1SC-60°	Hydraulic tube assembly (straight)	8	2	H=3000
5	272528520104	液压管总成(直)8-L2300-1SC-60°	Hydraulic tube assembly (straight)	8	2	H=3300
5	272528520105	液压管总成(直)8-L2400-1SC-60°	Hydraulic tube assembly (straight)	8	2	H=3500
5	272528520106	液压管总成(直)8-L2500-1SC-60°	Hydraulic tube assembly (straight)	8	2	H=3700
5	272528520107	液压管总成(直)8-L2620-1SC-60°	Hydraulic tube assembly (straight)	8	2	H=4000
5	272528520108	液压管总成(直)8-L2800-1SC-60°	Hydraulic tube assembly (straight)	8	2	H=4300
5	272528520109	液压管总成(直)8-L2900-1SC-60°	Hydraulic tube assembly (straight)	8	2	H=4500
5	272528520110	液压管总成(直)8-L3150-1SC-60°	Hydraulic tube assembly (straight)	8	2	H=5000
6	271528510101	外导槽焊合(三联)L=570	Outer guide groove welding L=570		1	H=2500
6	271528510102	外导槽焊合(三联)L=670	Outer guide groove welding L=670		1	H=2700
6	271528510103	外导槽焊合(三联)L=820	Outer guide groove welding L=820		1	H=3000
6	271528510104	外导槽焊合(三联)L=970	Outer guide groove welding L=970		1	H=3300
6	271528510105	外导槽焊合(三联)L=1070	Outer guide groove welding L=1070		1	H=3500
6	271528510106	外导槽焊合(三联)L=1170	Outer guide groove welding L=1170		1	H=3700
6	271528510107	外导槽焊合(三联)L=1370	Outer guide groove welding L=1370		1	H=4000
6	271528510108	外导槽焊合(三联)L=1520	Outer guide groove welding L=1520		1	H=4300
6	271528510109	外导槽焊合(三联)L=1620	Outer guide groove welding L=1620		1	H=4500
6	271528510110	外导槽焊合(三联)L=1895	Outer guide groove welding L=1895		1	H=5000
7	271528520161	液压管总成(直)8-L2010-1SC-60°-0°	Hydraulic tube assembly (straight)	8	2	H=2500
7	271528520170	液压管总成(直)8-L2310-1SC-60°-0°	Hydraulic tube assembly (straight)	8	2	H=2700
7	271528520162	液压管总成(直)8-L2610-1SC-60°-0°	Hydraulic tube assembly (straight)	8	2	H=3000
7	271528520163	液压管总成(直)8-L2910-1SC-60°-0°	Hydraulic tube assembly (straight)	8	2	H=3300
7	271528520164	液压管总成(直)8-L3210-1SC-60°-0°	Hydraulic tube assembly (straight)	8	2	H=3500
7	271528520165	液压管总成(直)8-L3410-1SC-60°-0°	Hydraulic tube assembly (straight)	8	2	H=3700
7	271528520166	液压管总成(直)8-L3710-1SC-60°-0°	Hydraulic tube assembly (straight)	8	2	H=4000
7	271528520167	液压管总成(直)8-L4010-1SC-60°-0°	Hydraulic tube assembly (straight)	8	2	H=4300

单附加管路安装(两级全自由门架)/SIDE PIPING(two-stage full free mast)

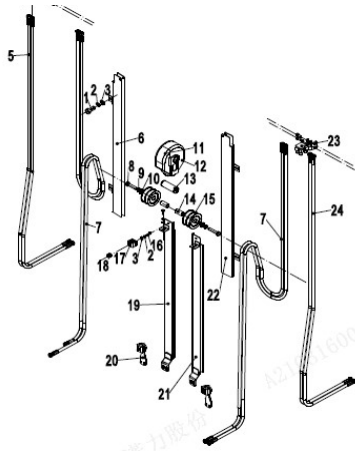


序号/NO	编码/SN	名称/Name	Name	数量/QTY	备注/Remark	
7	271528520168	液压管总成(直)8-L4210-1SC-60°-0°	Hydraulic tube assembly (straight)	8	2	H=4500
7	271528520169	液压管总成(直)8-L4710-1SC-60°-0°	Hydraulic tube assembly (straight)	8	2	H=5000
8	910100300055	螺栓GB5783-M12x55-8.8	Bolt GB5783-M12x55-8.8		1	
9	910400500008	弹簧垫圈GB93-12	Spring washer GB93-12		1	
10	910400100008	平垫圈GB97.1-12-200HV	The flat washer GB97.1-12-200HV		1	
11	271527521004	衬套Φ20xΦ13x41.5	Shaft sleeve Φ20xΦ13x41.5		1	
12	271527521003	滑轮Φ74x46(双槽)	Pulley Φ74 x46 (dual slot)		1	
13	910100300023	螺栓GB5783-M8x25-8.8	Bolt GB5783-M8x25-8.8		5	
14	271544001101	双孔管夹	Double pipe clamp		3	
15	910300100006	螺母GB6170-M8-10	nut GB6170-M8-10		1	
16	271528510111	内导槽焊合(三联)L=495	Inner guide groove welding L=495		2	H=2500
16	271528510112	内导槽焊合(三联)L=595	Inner guide groove welding L=595		2	H=2700
16	271528510113	内导槽焊合(三联)L=745	Inner guide groove welding L=745		2	H=3000
16	271528510114	内导槽焊合(三联)L=895	Inner guide groove welding L=895		2	H=3300
16	271528510115	内导槽焊合(三联)L=995	Inner guide groove welding L=995		2	H=3500
16	271528510116	内导槽焊合(三联)L=1095	Inner guide groove welding L=1095		2	H=3700
16	271528510117	内导槽焊合(三联)L=1245	Inner guide groove welding L=1245		2	H=4000
16	271528510118	内导槽焊合(三联)L=1395	Inner guide groove welding L=1395		2	H=4300
16	271528510119	内导槽焊合(三联)L=1495	Inner guide groove welding L=1495		2	H=4500
16	271528510120	内导槽焊合(三联)L=1745	Inner guide groove welding L=1745		2	H=5000
17	910800100001	O形圈-内9.5x1.8	O-ring - internal 9.5x1.8		2	
18	275342510001	外挂式侧移器(联动)	Side shifter assembly (linkage)		1	
18	275342510002	外挂式侧移器970(卡斯卡特)	Side shifter assembly		1	

双附加管路(两级全自由门架)/DODUBLE PIPING(two-stage full free mast)

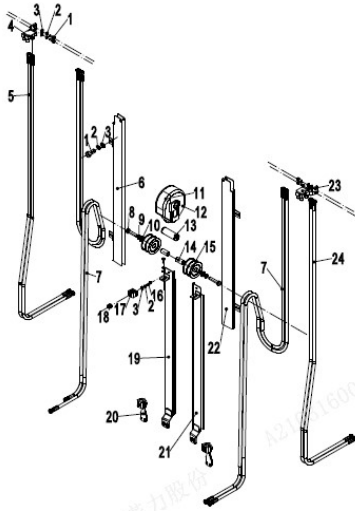


序号/NO	编码/SN	名称/Name	Name	数量/QTY	备注/Remark	
1	910100300022	螺栓GB5783-M8x20-8.8	Bolt GB5783-M8x20-8.8		6	
2	910400500006	弹簧垫圈GB93-8	Spring washer GB93-8		20	
3	910400100006	平垫圈GB97.1-8-200HV	The flat washer GB97.1-8-200HV		16	
4	271528511001	四通阀总成(三联)	Four-way valve assembly (triple)		1	
5	272528520101	液压管总成(直)8-L1900-1SC-60°	Hydraulic tube assembly (straight)	8	2	H=2500



5	272528520102	液压管总成(直)8-L2000-1SC-60°	Hydraulic tube assembly (straight)8	2	H=2700
5	272528520103	液压管总成(直)8-L2130-1SC-60°	Hydraulic tube assembly (straight)8	2	H=3000
5	272528520104	液压管总成(直)8-L2300-1SC-60°	Hydraulic tube assembly (straight)8	2	H=3300
5	272528520105	液压管总成(直)8-L2400-1SC-60°	Hydraulic tube assembly (straight)8	2	H=3500
5	272528520106	液压管总成(直)8-L2500-1SC-60°	Hydraulic tube assembly (straight)8	2	H=3700
5	272528520107	液压管总成(直)8-L2620-1SC-60°	Hydraulic tube assembly (straight)8	2	H=4000
5	272528520108	液压管总成(直)8-L2800-1SC-60°	Hydraulic tube assembly (straight)8	2	H=4300
5	272528520109	液压管总成(直)8-L2900-1SC-60°	Hydraulic tube assembly (straight)8	2	H=4500
5	272528520110	液压管总成(直)8-L3150-1SC-60°	Hydraulic tube assembly (straight)8	2	H=5000
6	271528510101	外导槽焊接(三联)L=570	Outer guide groove welding L=570	1	H=2500
6	271528510102	外导槽焊接(三联)L=670	Outer guide groove welding L=670	1	H=2700
6	271528510103	外导槽焊接(三联)L=820	Outer guide groove welding L=820	1	H=3000
6	271528510104	外导槽焊接(三联)L=970	Outer guide groove welding L=970	1	H=3300
6	271528510105	外导槽焊接(三联)L=1070	Outer guide groove welding L=1070	1	H=3500
6	271528510106	外导槽焊接(三联)L=1170	Outer guide groove welding L=1170	1	H=3700
6	271528510107	外导槽焊接(三联)L=1370	Outer guide groove welding L=1370	1	H=4000
6	271528510108	外导槽焊接(三联)L=1520	Outer guide groove welding L=1520	1	H=4300
6	271528510109	外导槽焊接(三联)L=1620	Outer guide groove welding L=1620	1	H=4500
6	271528510110	外导槽焊接(三联)L=1895	Outer guide groove welding L=1895	1	H=5000
7	271528520161	液压管总成(直)8-L2010-1SC-60°-0°	Hydraulic tube assembly (straight)8	2	H=2500
7	271528520170	液压管总成(直)8-L2310-1SC-60°-0°	Hydraulic tube assembly (straight)8	2	H=2700
7	271528520162	液压管总成(直)8-L2610-1SC-60°-0°	Hydraulic tube assembly (straight)8	2	H=3000
7	271528520163	液压管总成(直)8-L2910-1SC-60°-0°	Hydraulic tube assembly (straight)8	2	H=3300
7	271528520164	液压管总成(直)8-L3210-1SC-60°-0°	Hydraulic tube assembly (straight)8	2	H=3500
7	271528520165	液压管总成(直)8-L3410-1SC-60°-0°	Hydraulic tube assembly (straight)8	2	H=3700
7	271528520166	液压管总成(直)8-L3710-1SC-60°-0°	Hydraulic tube assembly (straight)8	2	H=4000
7	271528520167	液压管总成(直)8-L4010-1SC-60°-0°	Hydraulic tube assembly (straight)8	2	H=4300

双附加管路(两级全自由门架)/DODUBLE PIPING(two-stage full free mast)



序号/NO	编码/SN	名称/Name	Name	数量/QTY	备注/Remark
7	271528520168	液压管总成(直)8-L4210-1SC-60°-0°	Hydraulic tube assembly (straight)8	2	H=4500
7	271528520169	液压管总成(直)8-L4710-1SC-60°-0°	Hydraulic tube assembly (straight)8	2	H=5000
8	910100300055	螺栓GB5783-M12x55-8.8	Bolt GB5783-M12x55-8.8	1	
9	910400500008	弹簧垫圈GB93-12	Spring washer GB93-12	1	
10	910400100008	平垫圈GB97.1-12-200HV	The flat washer GB97.1-12-200HV	1	
11	532644520036	侧盖	Side cover	1	
12	272543520002	链轮座	Sprocket seat	1	
13	272543520003	链轮销轴Φ30x86	Sprocket pin shaft Φ30x86	1	
14	271527521004	衬套Φ20xΦ13x41.5	Shaft sleeve Φ20xΦ13x41.5	1	
15	271527521003	滑轮Φ74x46(双槽)	Pulley Φ74 x46 (dual slot)	1	
16	910100300023	螺栓GB5783-M8x25-8.8	Bolt GB5783-M8x25-8.8	5	
17	271544001101	双孔管夹	Double pipe clamp	3	
18	910300100006	螺母GB6170-M8-10	nut GB6170-M8-10	1	
19	271528510111	内导槽焊接(三联)L=495	Inner guide groove welding L=495	1	H=2500
19	271528510112	内导槽焊接(三联)L=595	Inner guide groove welding L=595	1	H=2700
19	271528510113	内导槽焊接(三联)L=745	Inner guide groove welding L=745	1	H=3000
19	271528510114	内导槽焊接(三联)L=895	Inner guide groove welding L=895	1	H=3300
19	271528510115	内导槽焊接(三联)L=995	Inner guide groove welding L=995	1	H=3500
19	271528510116	内导槽焊接(三联)L=1095	Inner guide groove welding L=1095	1	H=3700
19	271528510117	内导槽焊接(三联)L=1245	Inner guide groove welding L=1245	1	H=4000
19	271528510118	内导槽焊接(三联)L=1395	Inner guide groove welding L=1395	1	H=4300
19	271528510119	内导槽焊接(三联)L=1495	Inner guide groove welding L=1495	1	H=4500
19	271528510120	内导槽焊接(三联)L=1745	Inner guide groove welding L=1745	1	H=5000
20	271530520103	安装板	Mounting plate	2	
21	271529010111	内导槽焊接(四联)L=495	Inner guide groove welding L=495	1	H=2500
21	271529010112	内导槽焊接(四联)L=595	Inner guide groove welding L=595	1	H=2700
21	271529010113	内导槽焊接(四联)L=745	Inner guide groove welding L=745	1	H=3000
21	271529010114	内导槽焊接(四联)L=895	Inner guide groove welding L=895	1	H=3300
21	271529010115	内导槽焊接(四联)L=995	Inner guide groove welding L=995	1	H=3500
21	271529010116	内导槽焊接(四联)L=1095	Inner guide groove welding L=1095	1	H=3700
21	271529010117	内导槽焊接(四联)L=1245	Inner guide groove welding L=1245	1	H=4000
21	271529010118	内导槽焊接(四联)L=1395	Inner guide groove welding L=1395	1	H=4300

双附加管路(两级全自由门架)/DODUBLE PIPING(two-stage full free mast)

序号/NO	编码/SN	名称/Name	Name	数量/QTY	备注/Remark
21	271529010119	内导槽焊接(四联)L=1495	Inner guide groove welding L=1495	1	H=4500
21	271529010120	内导槽焊接(四联)L=1745	Inner guide groove welding L=1745	1	H=5000
22	271529010101	外导槽焊接(四联)L=570	Outer guide groove welding L=570	1	H=2500
22	271529010102	外导槽焊接(四联)L=670	Outer guide groove welding L=670	1	H=2700

